

Brackets

All Unheated, Electric, Hot Water and Steam Heated Series

(Excludes the WM and BD series and all Gas Fired Models)



atmosphere is everything

14716 S. BROADWAY, GARDENA, CA 90248 • Ph: (310) 532-1555 Fax: (310) 532-3030 • www.marsair.com

© Copyright Mars Air Systems, LLC 2014

Brackets	Description	Applicable Air Curtain Series (Indirect Gas Fired Models N/A)	Part Number
Adjustable Mounting Brackets	Kit, Bracket, Mounting, Adjustable, Steel, 3 1/2" Clearance, OB (Set of 2)	STD2, N2, HV2, NH2, EP2	B0004
Adjustable Combination Mounting Bracket	Kit, Bracket, Mounting, Adjustable, Steel, 7", 9", 11", and 13" Clearance, OB (Set of 2)	STD2, N2, HV2, NH2, EP2	B0005
Side Extension Plate	Kit, Bracket, Mounting, Side Extension, 2", 4", 6", and 8" Clearance, OB (Set of 2)	STD2, N2, HV2, NH2, EP2	B0020
Extended Wall Mounting Brackets	Kit, Bracket, Mounting, Extended Wall, Steel, 10" Clearance, OB (Set of 2)	STD2, N2, HV2, NH2, EP2	B0008
	Kit, Bracket, Mounting, Extended Wall, Steel, 16" Clearance, OB (Set of 2)	STD2, N2, HV2, NH2, EP2	B0009
	Kit, Bracket, Mounting, Extended Wall, Steel, 19" Clearance, OB (Set of 2)	STD2, N2, HV2, NH2, EP2	B0010
	Kit, Bracket, Mounting, Extended Wall, Steel, 23" Clearance, OB (Set of 2)	STD2, N2, HV2, NH2, EP2	B0011
	Kit, Bracket, Mounting, Wall, Phantom, Steel, 23" Clearance, PW (Set of 2)	PH	B0012
Top Mounting Brackets	Kit, Bracket, Top Mounting, Unheated, LPV2, Per Unit, OB (Set of 2)	LPV2, LPN2 (Unheated Only)	B0031
	Kit, Bracket, Top Mounting, Heated, LPV2, Per Unit, OB (Set of 2)	LPV2 (Heated Only)	B0032
Transom Mounting Brackets	Kit, Bracket, Transom Mounting, STD2, Per Unit, OB, LH and RH (Set of 2)	STD2, N2	B0041
	Kit, Bracket, Transom Mounting, LPV2, OB, LH and RH (Set of 2)	LPV2, LPN2	B0042

- Non-standard colors and materials available at additional cost and lead time: TS = Titanium Silver, PW = Pearl White, SS = Stainless Steel (304 or 316)
- Not compatible with WM series, BD series, or any Indirect Gas Fired model.

Features:

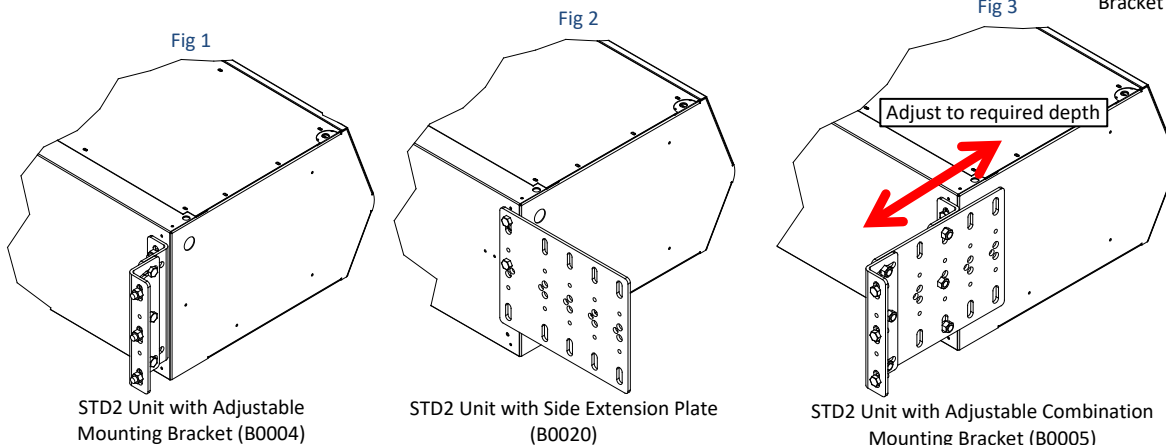
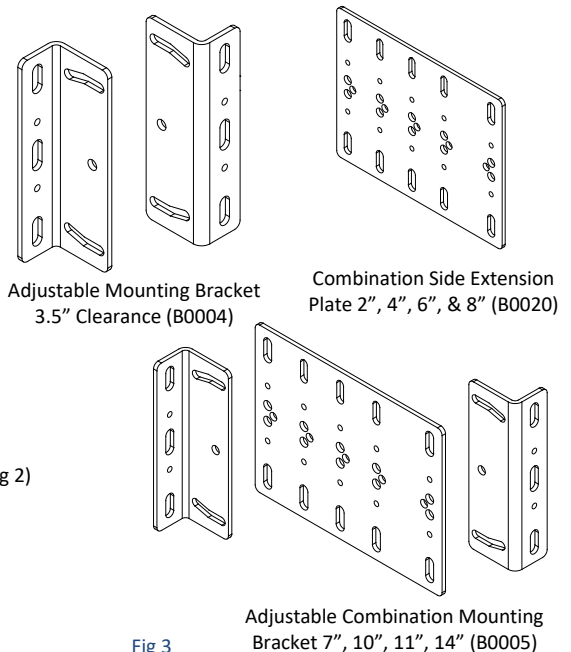
- ❖ Specifically designed to be used for the Mars Air Curtains
- ❖ Heavy duty 1/4" steel construction
- ❖ All brackets are provided as a set of 2 (Tandem units require 1 set per unit)
- ❖ Rust preventative electrostatic polyurethane powder coating
- ❖ Unit and wall mounting hardware provided by others
- ❖ Shipped loose for field installation by others
- ❖ 1 year parts warranty
- ❖ Proudly Made in the USA

Adjustable Mounting Bracket

- ❖ Designed to clear small obstructions above the opening or mounting location (see Fig 1)
- ❖ Typically used for sectional type doors, vertical lift doors, or garage type doors
- ❖ Available with 3 1/2", 7", 9", 11", or 13" clearances
- ❖ Standard color is Obsidian Black

Side Extension Plates

- ❖ Designed to clear small obstructions on the ends of the opening or mounting location (see Fig 2)
- ❖ Typically used to clear door tracks, small pipes and conduit on the edges of the opening
- ❖ Commonly used in conjunction with the Adjustable Mounting Bracket (see Fig 3)
- ❖ Available with 4", 6", 8", or 10" clearances
- ❖ Standard color is Obsidian Black



NOTE: MARS AIR SYSTEMS, LLC reserves the right to change specifications and product design without notice. Such revisions do not entitle the buyer to corresponding changes, improvements, additions, or replacements for previously purchased equipment.

Brackets

All Unheated, Electric, Hot Water and Steam Heated Series

(Excludes the WM and BD series and all Gas Fired Models)



atmosphere is everything

14716 S. BROADWAY, GARDENA, CA 90248 • Ph: (310) 532-1555 Fax: (310) 532-3030 • www.marsair.com

© Copyright Mars Air Systems, LLC 2014

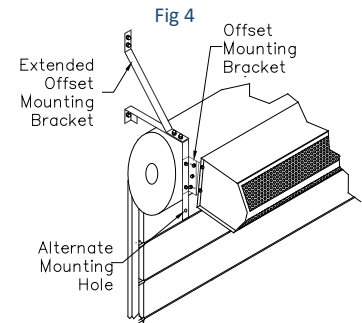
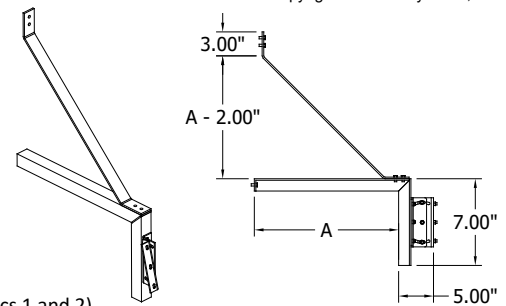
- ❖ **Extended Wall Mounting Brackets**
- ❖ Designed to clear larger obstructions above the opening or mounting location
- ❖ Typically used for drum type doors or to clear large water or ventilation pipes (see Fig 4)
- ❖ Available with 10", 16", 19" or 23" clearances
- ❖ Set includes Adjustable Mounting Bracket with 3 1/2" clearance
- ❖ Compatible with optional Side Extension Plate for additional clearance
- ❖ Standard color is Obsidian Black

Top Mounting Brackets

- ❖ Designed for overhead mounting above the opening
- ❖ Typically used for glass doors or large transoms (see Fig 5)
- ❖ May be used in conjunction with the Adjustable Mounting Bracket or Side Extension Plates (see Pics 1 and 2)
- ❖ Standard color is Obsidian Black

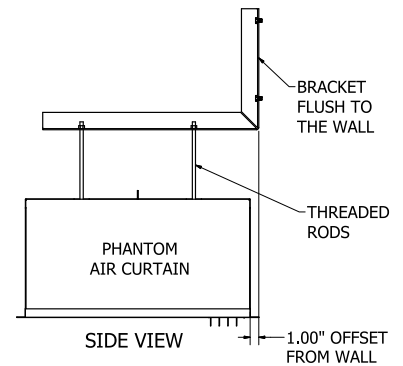
Transom Mounting Brackets

- ❖ Designed for mounting to framed transoms above the opening
- ❖ Typically used for commercial applications, such as office and retail spaces (see Fig 6)
- ❖ Not recommended for HV2 and EP2 units due to door frame weight capacity limitations
- ❖ Standard color is Obsidian Black



Extended Wall Mounting Brackets (B0008 thru B0011)

Part Number	Description	Dim A	Dim B
B0008	Kit, Bracket, Mounting, Extended Wall, Steel, 10" Clearance, OB (Set of 2)	10"	-
B0009	Kit, Bracket, Mounting, Extended Wall, Steel, 16" Clearance, OB (Set of 2)	16"	-
B0010	Kit, Bracket, Mounting, Extended Wall, Steel, 19" Clearance, OB (Set of 2)	19"	-
B0011	Kit, Bracket, Mounting, Extended Wall, Steel, 23" Clearance, OB (Set of 2)	23"	-
B0012	Kit, Bracket, Mounting, Wall, Phantom, Steel, 23" Clearance, PW (Set of 2)	23"	-
B0031	Kit, Bracket, Top Mounting, Unheated, LPV2, Per Unit, OB (Set of 2)	5"	-
B0032	Kit, Bracket, Top Mounting, Heated, LPV2, Per Unit, OB (Set of 2)	7.44"	-
B0041	Kit, Bracket, Transom Mounting, STD2, Per Unit, OB, LH and RH (Set of 2)	7"	5.5"
B0042	Kit, Bracket, Transom Mounting, LPV2, OB, LH and RH (Set of 2)	10.5"	3"



Wall Mounting Bracket for Phantom (B0012)

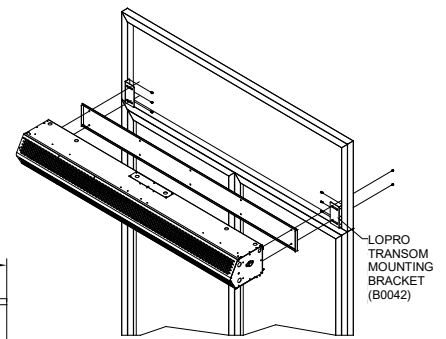
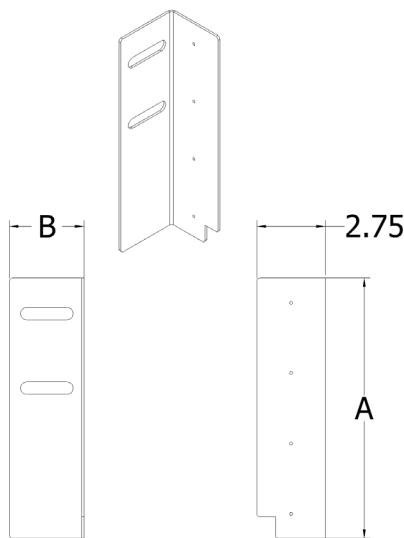


Fig 6



Transom Mounting Brackets (B0042 & B0041)

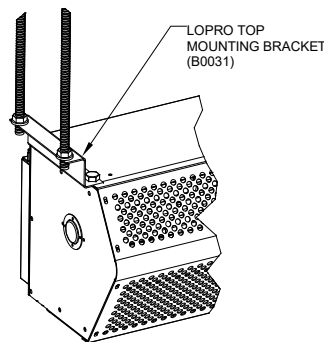
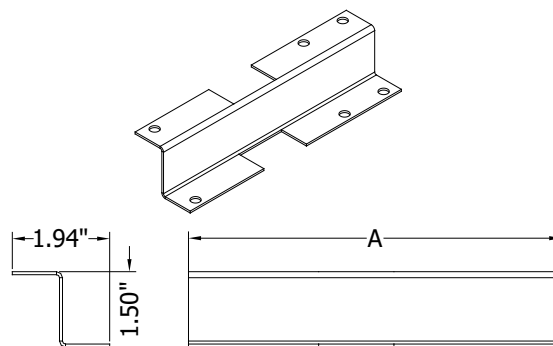


Fig 5



LoPro Top Mounting Brackets (B0032 & B0031)

NOTE: MARS AIR SYSTEMS, LLC reserves the right to change specifications and product design without notice. Such revisions do not entitle the buyer to corresponding changes, improvements, additions, or replacements for previously purchased equipment.