

# Thermostats



Line voltage to low voltage Models

atmosphere is everything

14716 S. BROADWAY, GARDENA, CA 90248 • Ph: (310)532-1555 Fax: (310)-532-3030 • [www.marsair.com](http://www.marsair.com)  
© Copyright Mars Air Systems, LLC 2014

## Thermostats

Thermostat Part #	Description	Applicable Air Curtain Series
99-063	Thermostat, 801, Line Voltage, Up to 250V, Analog, Single Stage, Single Pole	All Hot Water / Steam
99-064	Thermostat, 802, Line Voltage, Up to 250V, Analog, Two Stage, Double Pole	WM/BD Electric
99-264	Thermostat, 9200H, 24 Volt, Digital, Single Pole, R.G.W.Y.B.O.	Elec LPV2, STD2, HV2, EP2, PH & All Gas Fired
99-263	Thermostat, RS4110, 24 Volt, Digital, Single Pole, R.G.W.Y.B.O., Battery Power	Elec LPV2, STD2, HV2, EP2, PH & All Gas Fired

### Features:

- ❖ Allows automatic control of heated air
- ❖ Remote mounted (field installed by others)
- ❖ Temperature range from 50F to 90F
- ❖ Regulates the heat near the air curtain
- ❖ Analog Bimetal Temperature Sensing
- ❖ Thermostats are UR (UL Recognized)
- ❖ 1 year warranty

### Line Voltage (99-063, 99-064)

- ❖ Standard for all Hot Water/Steam Heated and WM/BD Electric models
- ❖ Single Phase, Single Pole, 250V max
- ❖ Remote Wall Mounted by others
- ❖ Requires Junction Box (J-Box field supplied and installed)

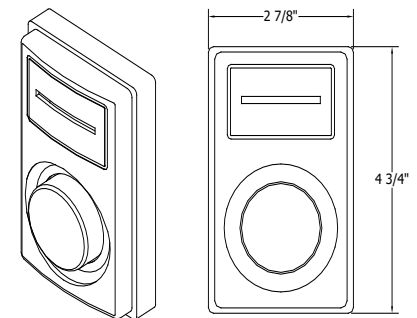
### Low voltage (99-264, 99-263)

- ❖ Standard for STD2, HV2, EP2, PH and all Gas Heated models
- ❖ Low voltage (24V) control
- ❖ Fan and Heat Control Switch
- ❖ Remote Wall Mounted by others

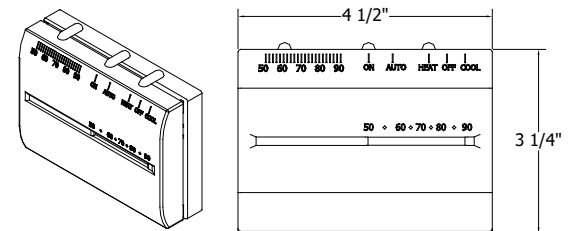
\*Do not mount low voltage thermostat greater than 30ft from the air curtain. Mounting the low voltage thermostat too far from the air curtain may cause a voltage drop and cause chattering.

### Options and Accessories:

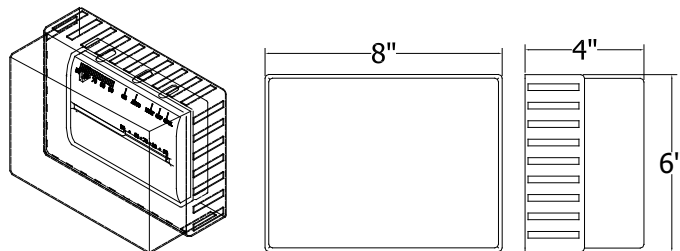
- ❖ 2 Stage Line Voltage Thermostat
- ❖ Digital Programmable Low Voltage Thermostat
- ❖ Digital Low Voltage Thermostat with Battery Backup
- ❖ Factory Wired and Installed Thermostat
- ❖ Lockable clear cover



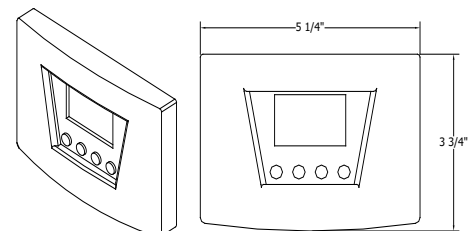
99-063 – Thermostat, 801, Line Voltage, Single Stage, Single Pole



99-264 – Thermostat, 24 Volt, Digital, Single Stage, R.G.W.Y.B.O.



99-182 - Cover, Lockable, Clear



99-263 – Thermostat, 24 Volt, Digital, Single Stage., R.G.W.Y.B.O., Battery Power

NOTE: MARS AIR SYSTEMS, LLC reserves the right to change specifications and product design without notice. Such revisions do not entitle the buyer to corresponding changes, improvements, additions, or replacements for previously purchased equipment.